

PLEASE CHECK WWW.MOLEX.COM FOR LATEST PART INFORMATION

Part Number: [0513461000](#)
Status: **Active**
Description: 3.30mm (.130") Pitch Wire-to-Wire Plug Housing, Positive Lock, Dual Row, 10 Circuits

Documents:

[Drawing \(PDF\)](#) [RoHS Certificate of Compliance \(PDF\)](#)
[Product Specification PS-51347-001 \(PDF\)](#)

General

Product Family	Crimp Housings
Series	51346
Product Name	N/A

Physical

Circuits (maximum)	10
Color - Resin	Natural
Gender	Male
Glow-Wire Compliant	No
Lock to Mating Part	Yes
Material - Resin	Nylon
Number of Rows	2
Packaging Type	Bag
Panel Mount	No
Pitch - Mating Interface (in)	0.130 In
Pitch - Mating Interface (mm)	3.30 mm
Polarized to Mating Part	Yes
Stackable	No
Temperature Range - Operating	-25°C to +85°C

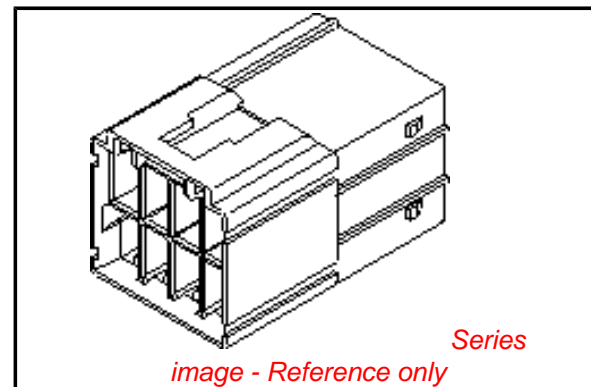
Electrical

Current - Maximum per Contact	4A
-------------------------------	----

Material Info

Reference - Drawing Numbers

Product Specification	PS-51347-001, RPS-51347-004, RPS-51347-005, RPS-51347-006, RPS-51347-007
Sales Drawing	SD-51346-001



EU RoHS

**ELV and RoHS
Compliant**
**REACH SVHC
Contains SVHC: No**
**Halogen-Free
Status
Not Reviewed**

China RoHS



**Need more information on product
environmental compliance?**

Email productcompliance@molex.com
For a multiple part number RoHS Certificate of
Compliance, [click here](#)

Please visit the [Contact Us](#) section for any
non-product compliance questions.

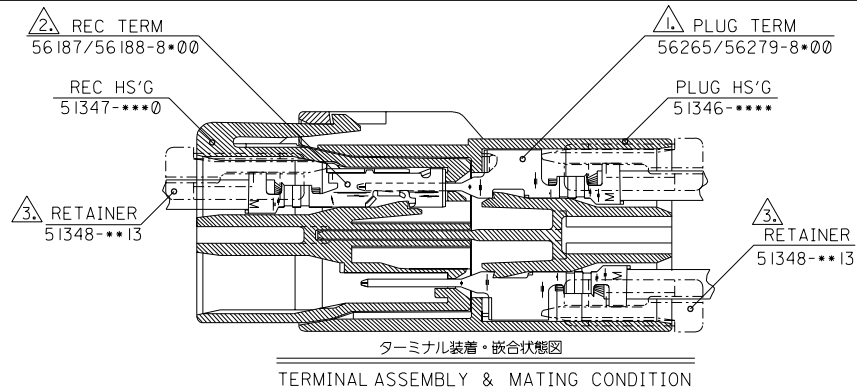
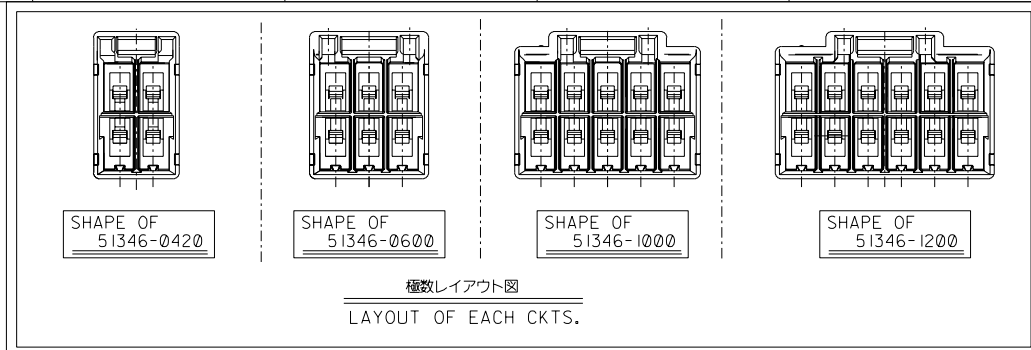
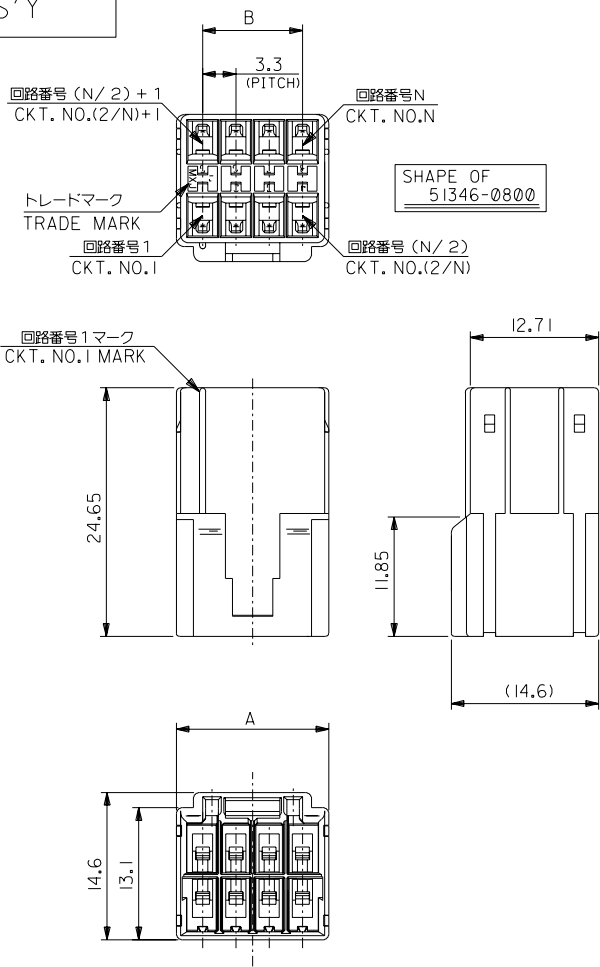
Search Parts in this Series
[51346Series](#)

Mates With
[51347-1000](#)

Use With
[51348](#) , [56265](#)

PLEASE CHECK WWW.MOLEX.COM FOR LATEST PART INFORMATION

本図は2列品を示す
DUAL ROW ASS'Y



注記
NOTES

1. 適合ターミナル: 56265/56279シリーズ
APPLICABLE TERMINAL: 56265/56279 SERIES

2. 適合ターミナル: 56187/56188シリーズ
APPLICABLE TERMINAL: 56187/56188 SERIES

3. 適合リテーナー: 51348-***1* シリーズ
APPLICABLE RETAINER: 51348-***1* SERIES

4. 材料: NYLON66, UL94V-0
MATERIAL

51347-1200	51348-0613	NATURAL	16.5	21.7	12	51346-1200	51346-****
-1000	-0513		13.2	18.4	10	-1000	
-0800	-0413		9.9	15.1	8	-0800	
-0600	-0313		6.6	11.8	6	-0600	
51347-0420	51348-0213	NATURAL	3.3	8.5	4	51346-0420	
MATE WITH	CONFORMABLE-RETAINER	COLOR	B	A	CKT.	MATERIAL NO.	MODEL NO.

DO NOT SCALE DRAWING

回路番号 DRAWN: CH'K: APPR:	回路番号 DRAWN: CH'K: APPR:	回路番号 DRAWN: CH'K: APPR:	回路番号 DRAWN: CH'K: APPR:	回路番号 DRAWN: CH'K: APPR:	回路番号 DRAWN: CH'K: APPR:
RELEASED 回路番号: J2004-1974 DRAWN: T.ODA '04/01/19 CH'K: S.ICHIKAWA APPR: Y.ITO					
MATERIAL 材料					
FINISH 仕上げ					
WIRE RANGE 適用電線範囲					
INS. RANGE 被覆外径					

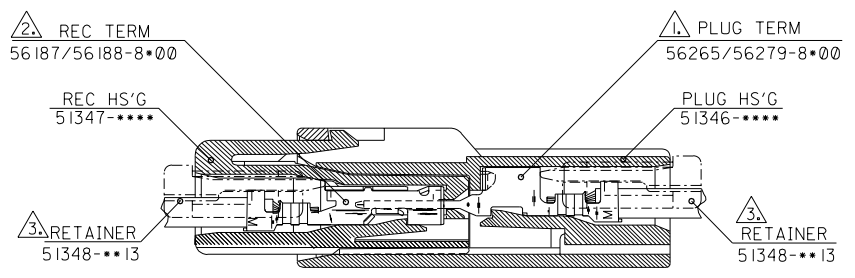
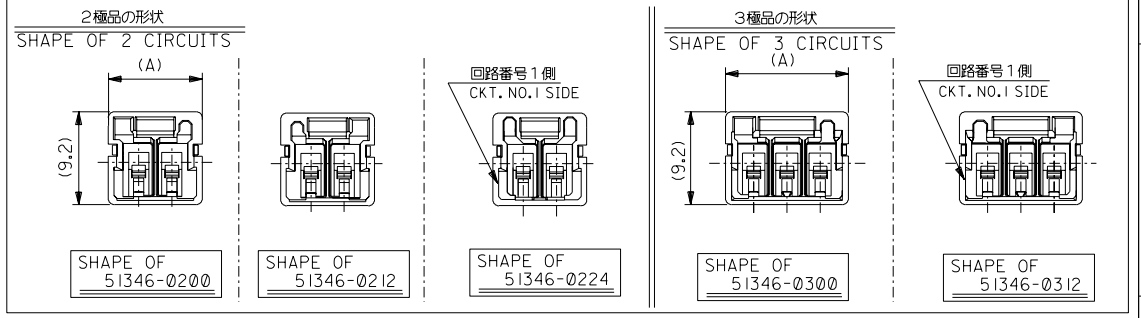
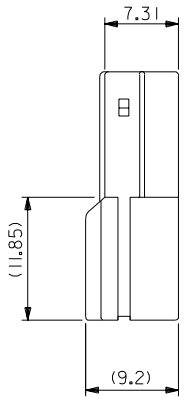
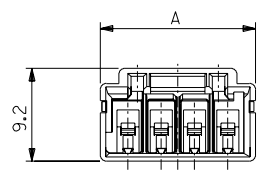
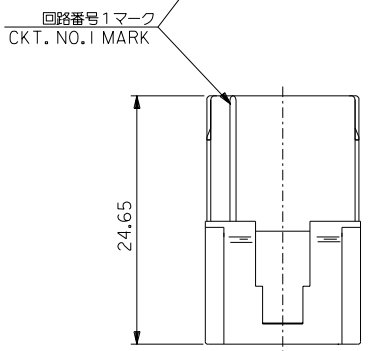
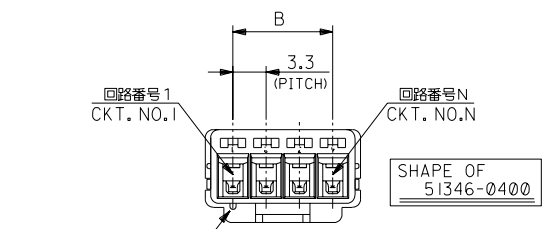
GENERAL TOLERANCES: (UNLESS SPECIFIED) 一般公差	SCALE	DESIGN UNITS	DIMENSIONS:	SHT	REV
10 UNDER 未満 ±0.2	1:1	mm INCH	mm INCH		
10 OVER 以上 30 UNDER 未満 ±0.25					
30 OVER 以上 ±0.3					
ANGLE 角度 ±3°					

DRAWN BY & DATE T.ODA '04/01/15 CHECKED BY & DATE S. Ichikawa. APPROVED BY & DATE Y. Ito	TITLE: 3.3 mm WIRE TO WIRE CONN. PLUG HOUSING	MOLEX INCORPORATED
CAD FILENAME SD-51347-001.S01	MATERIAL NO. SEE CHART	DRAWING NO. SD-51346-001
THIS DRAWING CONTAINS INFORMATION THAT IS PROPRIETARY TO MOLEX INCORPORATED AND SHOULD NOT BE USED WITHOUT WRITTEN PERMISSION.		SHEET NO. 1 OF 2 SIZE B

DWG. NO. SD-51346-001

本図は1列品を示す
SINGLE ROW ASS'Y

各種形状を下記に示す。
尚、嵌合間口にて誤嵌合バリエーションを持たせている為組み合わせには注意して下さい。



ターミナル装着・嵌合状態図
TERMINAL ASSEMBLY & MATING CONDITION

注記
NOTES

- △ 適合ターミナル: 56265/56279シリーズ
APPLICABLE TERMINAL: 56265/56279 SERIES
 - △ 適合ターミナル: 56187/56188シリーズ
APPLICABLE TERMINAL: 56187/56188 SERIES
 - △ 適合リテーナー: 51348シリーズ
APPLICABLE RETAINER: 51348 SERIES
4. 材料 MATERIAL : NYLON66, UL94V-0

51347-0400	51348-0413	NATURAL	9.9	15.1	4	51346-0400	51346-****
-0312	-0313	RED	6.6	12.1	3	-0312	
-0300	-0313	NATURAL	6.6	12.1	3	-0300	
-0224	-0213	BLUE	3.3	9.3	2	-0224	
-0212	-0213	RED	3.3	9.3	2	-0212	
51347-0200	51348-0213	NATURAL	3.3	9.3		51346-0200	

MATE WITH	CONFORMABLE-RETAINER	COLOR	B	A	CKT.	MATERIAL NO.	MODEL NO.
-----------	----------------------	-------	---	---	------	--------------	-----------

DO NOT SCALE DRAWING

①64NO. DRWN: CH'K: APPR:	①63NO. DRWN: CH'K: APPR:	①62NO. DRWN: CH'K: APPR:	①61NO. DRWN: CH'K: APPR:	①60NO. DRWN: CH'K: APPR:	① DRWN: CH'K: APPR:
DESCRIPTION: SEE SHEET 1					
MATERIAL 材料: //					
FINISH 仕上げ: //					
WIRE RANGE 適用電線範囲: //					
INS. RANGE 被覆外径: //					

GENERAL TOLERANCES: (UNLESS SPECIFIED) 一般公差	SCALE	DESIGN UNITS	PROJECTION
10 UNDER 未満	1:1	mm □ INCH	① ② ③
10 OVER 30 UNDER 未満			
30 OVER 以上			
ANGLE 角度			

DRAWN BY & DATE	CHECKED BY & DATE	APPROVED BY & DATE	CAD FILENAME
<i>T. Odo</i> '04/01/15	<i>S. Ichikawa</i>	<i>Y. Ota</i>	SD-51346-001.S02

TITLE:	DIMENSIONS:	SHT	REV
3.3 mm WIRE TO WIRE CONN. PLUG HOUSING (SINGLE ROW)	mm □ INCH	2	2
MOLEX INCORPORATED			
MATERIAL NO.	DRAWING NO.	SHEET NO.	
SEE CHART	SD-51346-001	2	
THIS DRAWING CONTAINS INFORMATION THAT IS PROPRIETARY TO MOLEX INCORPORATED AND SHOULD NOT BE USED WITHOUT WRITTEN PERMISSION.			
SIZE B			